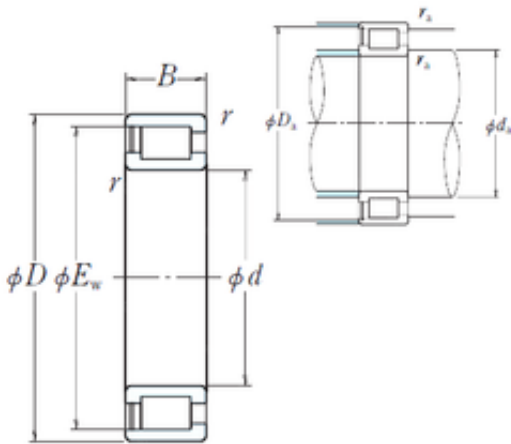




# SNR BEARINGS ITÁLIA S.P.A.

## NCF2960V NSK CYLINDRICAL ROLLER BEARING

Bearing No. NCF2960V



NCF2960V Bearing 2D drawings and 3D CAD models

Size	300x389.6x72 mm
Bore Diameter	300 mm
Outer Diameter	389,6 mm
Width	72 mm
d	300 mm
D	420 mm
Ew	389,6 mm
B	72 mm
C	72 mm
r min.	3 mm
Da	398 mm
ra max.	2,5 mm
da	320 mm
Weight	30,7 Kg
Basic dynamic load rating (C)	1120 kN
Category	Bearings
Inventory	0.0
Manufacturer Name	NSK
Minimum Buy Quantity	N/A
Weight / Kilogram	31
Product Group	B04144